

# The 11 th Asian Thermophysical Properties Conference (ATPC2016)

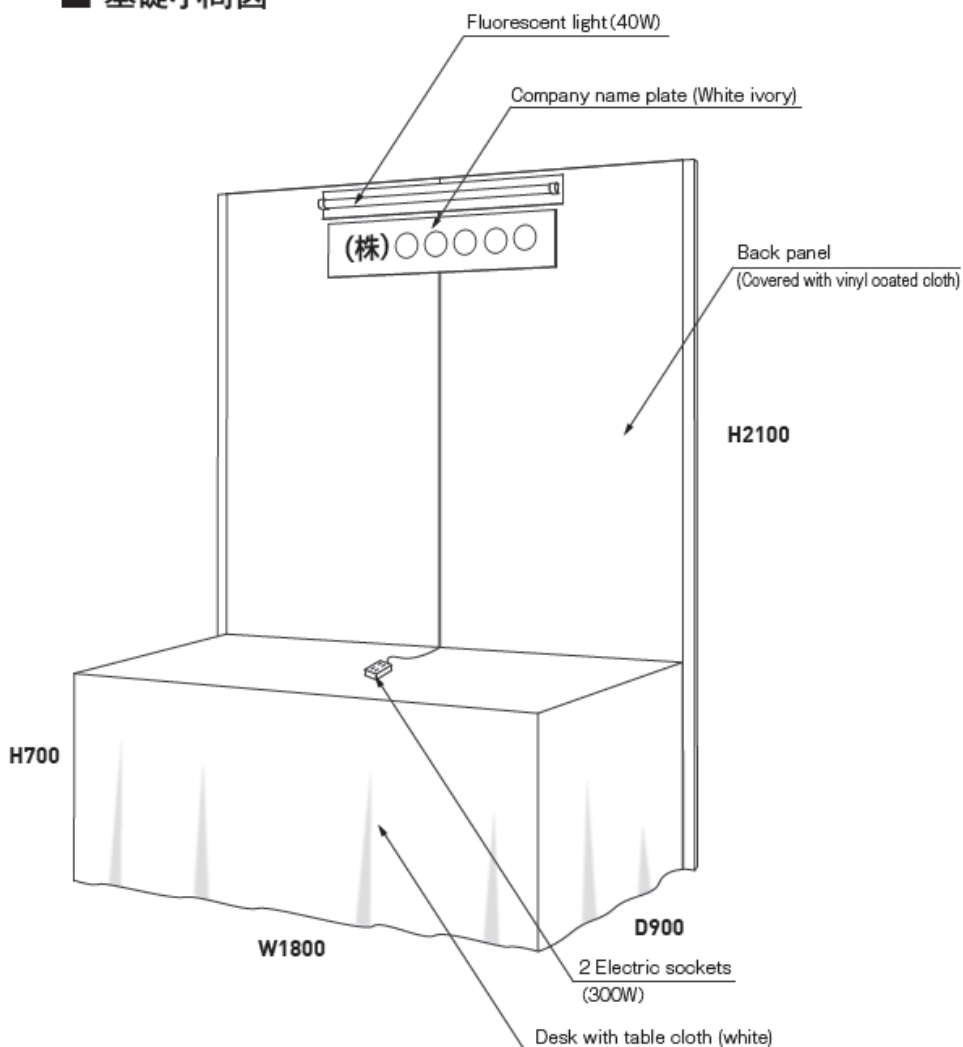
## Exhibition Conditions

April 2016

1. Opening Period	October 2 (Mon) ~ 6 (Thu), 2016 (5 days).
2. Venue	Pacifico YOKOHAMA, Annex Hall, Japan 1-1-1, Minato Mirai, Nishi-ku, Yokohama, Japan TEL: +81-45-221-2155
3. Set-up and Dismantling	1) Set-up Oct 2 (Sun)13:00~16:00 2) Exhibition Oct 3 (Mon) 9:00~19:00 Oct 4 (Tue) 9:00~13:00 Oct 5 (Wed) 9:00~19:00 3) Dismantling Oct 6 (Thu) 10:00~12:00
4. Number of Exhibition	About 20 booth
5. Size of Booth	1,800 mm × height of 2,100 mm Table (Width:1800, Depth: 900mm)
6. Basic 小間基本設備	Nameplate with general letters (200mm × 900mm), a back panel, 2 arm spotlights, a table with white cloth, and an electrical main of 100V-1500W
7. Prices for Exhibit Stand	JPY 200,000 (Tax included) /booth (Exhibitors who need multiple units should contact the Exhibition Committee)
8. Benefit for Exhibitor	Organizations that have a booth at ATPC2016, will have a 1-page advertisement in the program book and 1 free invitation ticket for ATPC2016 per one block. Regular registration is required for presentation.
9. Application	Please send application form to ATPC2016 Exhibition Committee by e-mail ATPC2016 Exhibition Committee E-mail : <a href="mailto:exhibition@atpc2016.org">exhibition@atpc2016.org</a> Deadline for application: May 31st (Thu), 2016

10. Payment	The Exhibition Committee will send an invoice of the booth charge to the Exhibitor. Payment must be paid to the bank account of the Exhibition Committee by July 30th 2016 (Thu). All bank charges and transfer charges must be paid for by the Exhibitor. The booth charge is non-refundable.
11. Inquiry	If you have any additional requests, please contact to; Nippon Travel Agency, Contact Person: Ms. Egusa, and Mr. Hoshina TEL : +81-45-641-9604, FAX : +81-45-651-0072 E-mail : <a href="mailto:yokohama_office6@nta.co.jp">yokohama_office6@nta.co.jp</a>

■ 基礎小間図



Booth layout

## Registration for exhibition booth at

### The 11 th Asian Thermophysical Properties Conference (ATPC2016)

Dear Organizing Committee,

I wish to apply for an exhibition booth at ATPC 2016

Name of Organization*1	
URL*2	http://
Number of blocks	
Price (including tax) (@JPY 200,000)	¥200,000 × ____ = ¥ _____ (including tax)
Type of products exhibited (instruments, catalog etc.)	
Message	

\*1 will appear on a list of exhibitor

\*2 will be linked from <http://www.atpc2016.org/>

Name of Organization	
Address	〒
Contact person	
e-mail address	
Tel	
FAX	